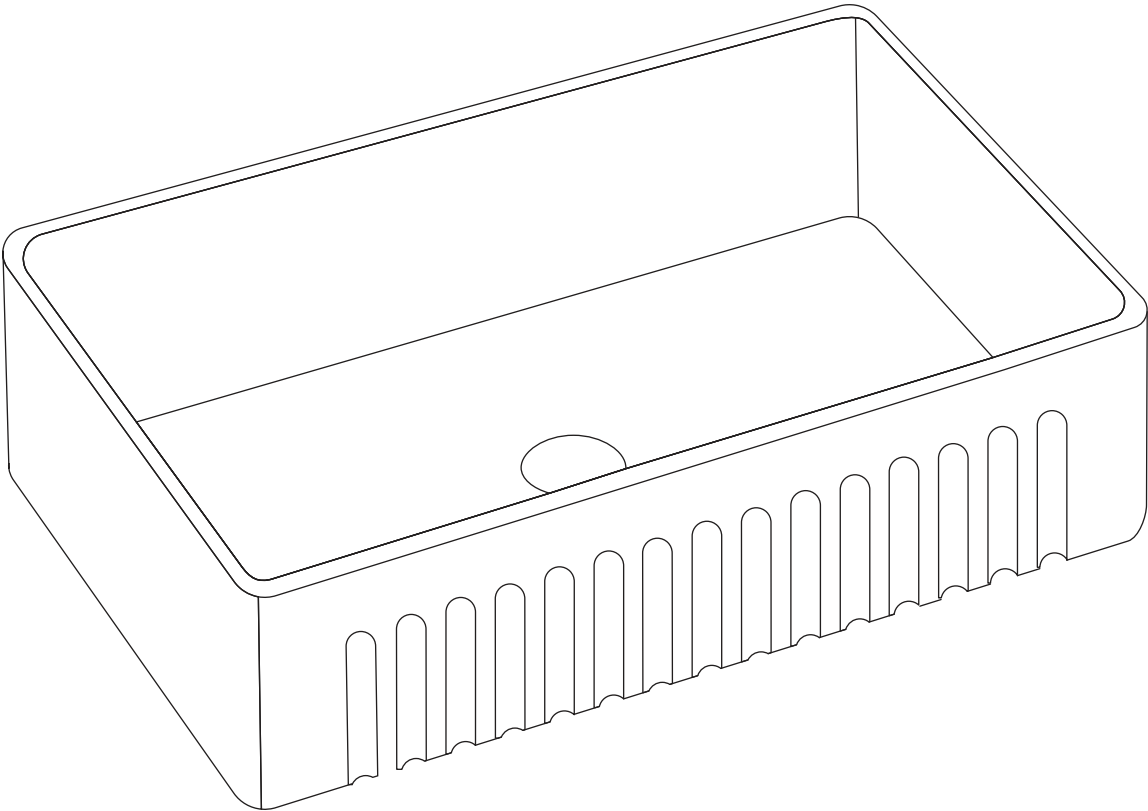


# Ceramic Farmhouse Kitchen Sink

## INSTALLATION INSTRUCTIONS

---

*Swiss Madison*  
well made forever



@SwissMadison  
#WellMadeForever



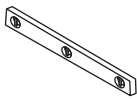


## PRIOR TO INSTALLATION:

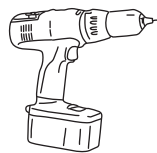
- Inspect product to ensure no damages have occurred while in shipping.
- Observe all plumbing and building codes in accordance with your state and local requirements.
- Make sure to purchase the correct cabinet size for your sink.
- All dimensions are nominal! Be sure to measure your sink prior to installation.
- The step-by-step guidelines in the installation instructions are a general reference. Should there be any discrepancies, Swiss Madison cannot be held liable. It is recommended to install all Swiss Madison products by hiring a licensed professional.
- Read installation and maintenance instructions thoroughly before installing. Be sure to use proper tools and always wear proper personal safety accessories for your protection.

If you have any questions or concerns please contact us:  
1-434-623-4766  
[info@swissmadison.com](mailto:info@swissmadison.com)

## SUGGESTED TOOLS & MATERIALS:



Level



Drill



Screwdrivers



Jig Saw/  
Hacksaw



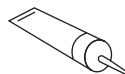
Acetone



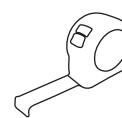
Safety  
Glasses



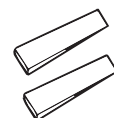
Pencil



Adhesive



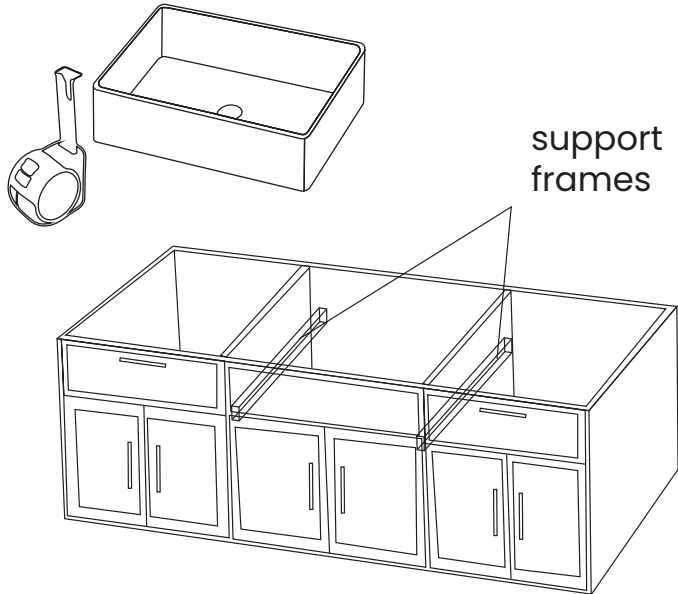
Tape  
Measure



Shims

## 1. Measure & Assemble Supports

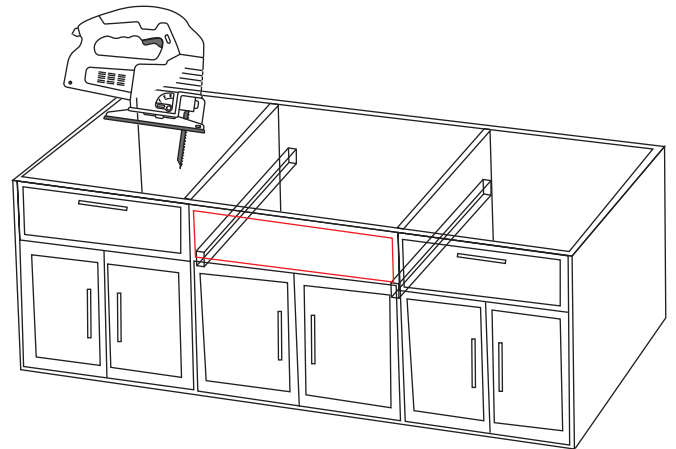
- Measure actual height of the apron.
- Build support frames on the inside of cabinet based on sink measurements.



## 2. Cut Front of Cabinet

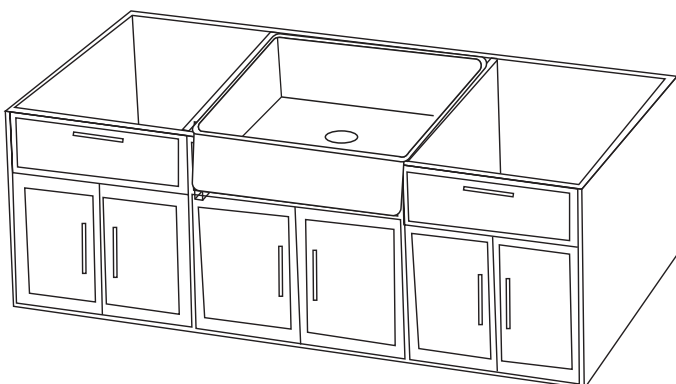
- Measure the height of the front apron and add 1/16" to the dimensions when marking the cabinet front cutting location.
- Use saw to cut the cabinet.

**NOTE:** Always wear protective gear when using dangerous materials.



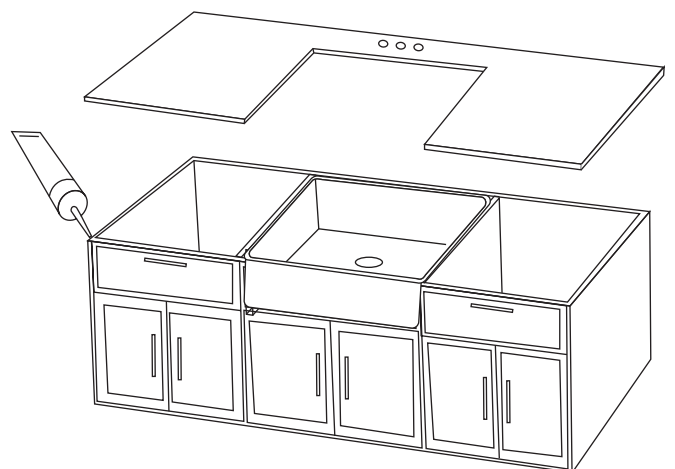
## 3. Install Sink

- Carefully place sink into the opening. The weight of sink should be sustained by the pre-built support frames.
- Verify sink is leveled from side to side and front to back using a level. Use shims, if needed, to level sink.
- Use sealant to seal any gaps where required.



## 4. Install Countertop & Plumbing

- Use a bead of silicone or preferred adhesive around the rim of the sink.
- Verify the alignment of the sink to the cutout countertop. Align cut countertop hole over the sink and press firmly.
- Connect drain trap to drain, and water supply connections to the faucet according to manufacturer's instructions.
- Run water and check for leaks.



## ONE YEAR LIMITED WARRANTY

Swiss Madison® products are made with quality materials and excellent craftsmanship to provide our customers with beautiful, durable, long-lasting products. Should there be any defects in materials or craftsmanship under regular use that are discovered within the first year of installation, Swiss Madison® will provide replacement parts at no charge, or at its discretion, replace any product or part of the product that is deemed defective, under normal installation, use, service or maintenance. This warranty applies only to the original purchaser. Proof of purchase will be required in the instance of a claim.

Swiss Madison® recommends all installations of Swiss Madison® products to be conducted by a licensed, professional plumber or contractor. Swiss Madison® will not be held responsible for any damage or product failure due to improper installation, misuse, or failure to utilize a licensed professional for installation. Swiss Madison® is not responsible for any installation or removal costs.

### **This One Year Limited Warranty Will Be Voided If:**

- The installation recommendations were not followed by the installer
- The product has been moved from its initial place of installation
- The product has in any way been modified from its packaged state
- The product has been subjected to improper maintenance, abuse, misuse, excessive use of chemicals, accidents, or other damages, etc.

Swiss Madison® makes no implication that its products comply with any local building or plumbing codes. It is the consumer's responsibility and obligation to determine local code compliance prior to and during installation. This warranty extends only to the original purchaser and first consumer.

Swiss Madison® is not responsible for any special, incidental or consequential damages associated with the installation, replacement, return or use of the original purchaser's product. This includes, but is not limited to: freight costs, labor, travel time, lost profit, home damages and other contingent liabilities and costs (including, without limitation, costs associated with 'professionals' or 'experts', investigations, audits, analyses, attorneys and any other professional/hired services).

The Swiss Madison® warranty is a comprehensive and explicit limit of liability. All items not disclosed within the warranty are not addressable within the responsibility of Swiss Madison®. Certain states have variances regarding implied warranties; in those situations, we remain fully compliant.

**If you have any questions or concerns, please contact us directly at  
1-434-MADISON (623-4766)**

**⚠ WARNING:** Contents of your order may contain sharp and possibly other harmful pieces and may cause hazard to children and adults. Swiss Madison® is not responsible in any way for personal damages.